

# PRODUCT INFORMATION PACKET

Model No: 056T34W99007

Catalog No: N230

0.75 HP Washdown Motor, 3 phase, 3600 RPM, 208-230/460 V, 56J Frame, TEFC  
Washdown Duty Motors



Regal and Marathon are trademarks of Regal Beloit Corporation or one of its affiliated companies.  
©2020 Regal Beloit Corporation, All Rights Reserved. MC017097E

**REGAL**



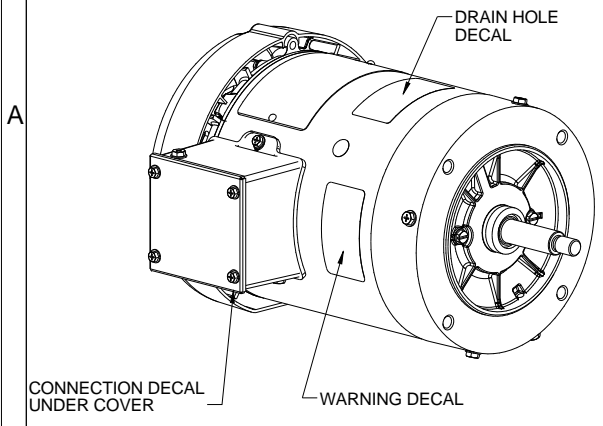
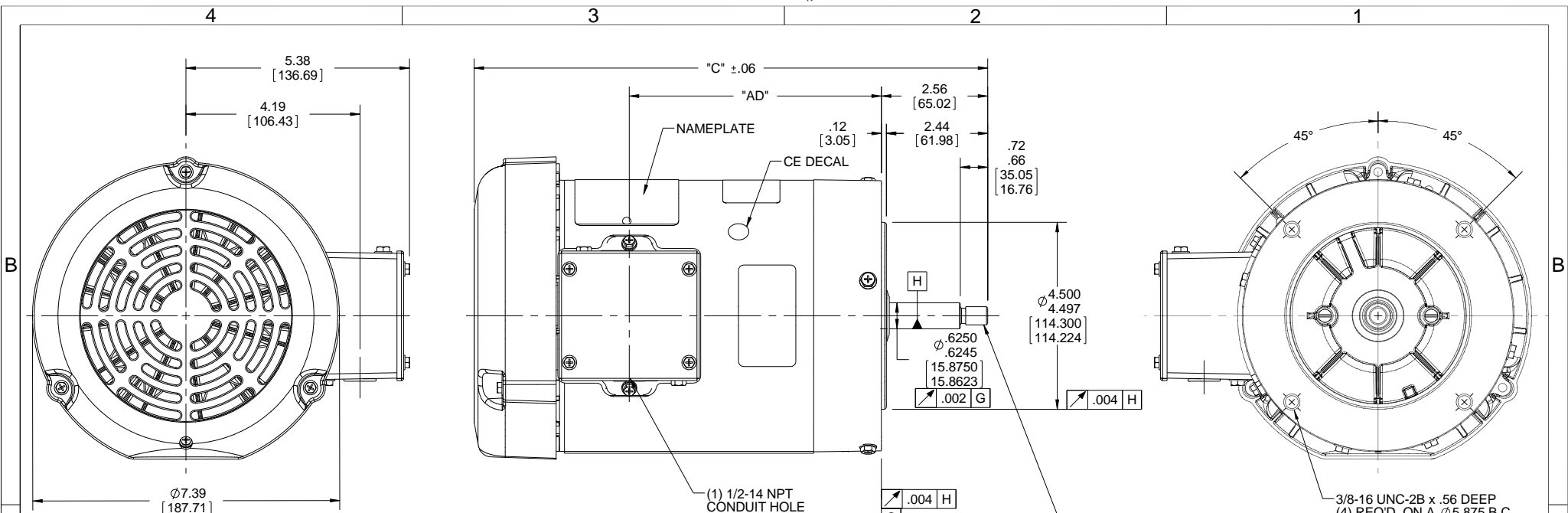
### Nameplate Specifications

Output HP	0.75 Hp	Output KW	0.56 kW
Frequency	60 Hz	Voltage	208-230/460 V
Current	2.5-2.4/1.2 A	Speed	3450 rpm
Service Factor	1.15	Phase	3
Efficiency	75.5 %	Power Factor	78
Duty	Continuous	Insulation Class	F
Design Code	B	KVA Code	J
Frame	56J	Enclosure	Totally Enclosed Fan Cooled
Thermal Protection	No	Ambient Temperature	40 °C
Drive End Bearing Size	6205	Opp Drive End Bearing Size	6203
UL	Recognized	CSA	Y
CE	Y	IP Code	55

### Technical Specifications

Electrical Type	Squirrel Cage Induction Run	Starting Method	Across The Line
Poles	2	Rotation	Reversible
Resistance Main	28 Ohms	Mounting	Round
Motor Orientation	Horizontal	Drive End Bearing	Ball
Opp Drive End Bearing	Ball	Frame Material	Rolled Steel
Shaft Type	J	Overall Length	11.37 in
Frame Length	5.00 in	Shaft Diameter	0.625 in
Shaft Extension	2.44 in	Assembly/Box Mounting	F1 ONLY
Connection Drawing	005010.01ME	Outline Drawing	607-0015ME-500

This is an uncontrolled document once printed or downloaded and is subject to change without notice. Date Created:14/10/2020



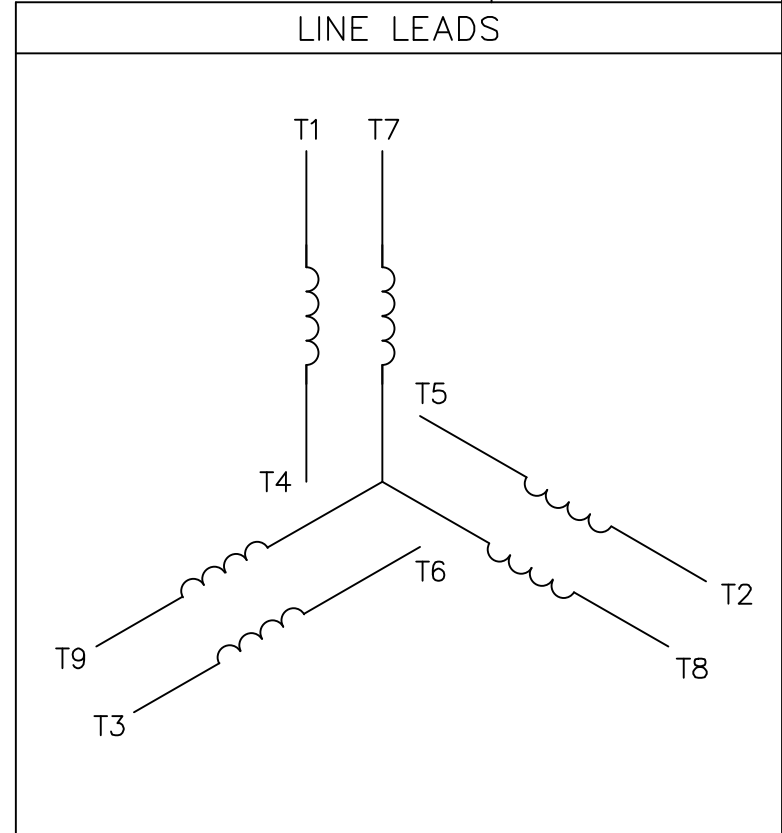
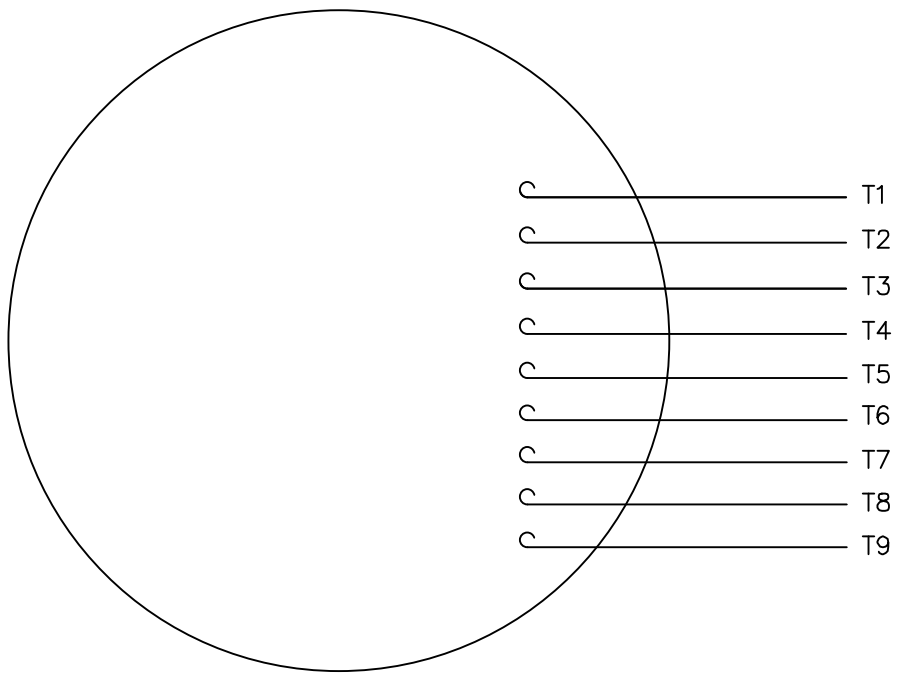
DASH NO.	"C"	"AD"
450	10.87	4.56
500	11.37	5.06
550	11.87	5.56
600	12.37	6.06
650	12.87	6.56
700	13.37	7.06
750	13.87	7.56
800	14.37	8.06

**WASHGUARD MOTOR**


- SPECIAL FEATURES:
1. SHAFT SEALS & V-RING.
  2. PLUGGED DRAIN HOLES IN ENDBELLS & CONDUIT BOX.
  3. BUNA-N GASKETS THROUGHOUT.
  4. STAINLESS STEEL SHAFT, HARDWARE & NAMEPLATE.

DRAWING REVISION <b>D</b>	REVISION BY LK	DATE 03/08/2016	TOLERANCES UNLESS OTHERWISE SPECIFIED: DEC. INCH mm ANGLE -X $\pm 0.1$ [ $\pm 2.5$ ] $\pm 0.5^\circ$ .XX $\pm 0.01$ [ $\pm 0.25$ ] .XXX $\pm 0.005$ [ $\pm 0.127$ ] .XXXX $\pm 0.0005$ [ $\pm 0.0127$ ] REMOVE BURRS & BREAK SHARP EDGES: .003/.015 [.076/.381] X 45° CORNER FILLETS: R.02 [.51] MACHINED SURFACES: 125/3.2 INCH mm mm SHOWN IN [BRACKETS]	DRAWN BY UD 12/27/12	Regal Beloit America, Inc.
ECO ECO-00979006	APPROVED BY LK	DATE 03/08/2016	DATE	DATE	
ECO DESCRIPTION <b>ADDED DASH # 800</b>			REFERENCE	APPROVED BY	DESCRIPTION <b>OUTLINE</b> TEFC - "C" FACE
COPYRIGHT REGAL BELOIT AMERICA, INC. ALL RIGHTS RESERVED. PROPRIETARY AND CONFIDENTIAL INFORMATION - THIS DOCUMENT IS THE PROPERTY OF REGAL BELOIT AMERICA, INC. ("OWNER") AND CONTAINS OWNER'S PROPRIETARY INFORMATION. ANY PERSON, CORPORATION OR OTHER FIRM RECEIVING IT IS DEEMED, BY RECEIVING IT, TO AGREE THAT IT, AND/OR ANY PART OF IT, SHALL NOT BE DISCLOSED TO ANY PERSON, CORPORATION OR OTHER ENTITY, DUPLICATED, AND/OR USED, EXCEPT AS EXPRESSLY APPROVED IN WRITING IN ADVANCE BY OWNER. THIS DOCUMENT SHALL BE RETURNED TO OWNER UPON REQUEST. IT MAY BE SUBJECT TO CERTAIN RESTRICTIONS UNDER APPLICABLE EXPORT CONTROL LAWS AND REGULATIONS.			THIRD ANGLE PROJECTION	DATE	PROCESS/FINISH
			SIZE <b>B</b>	DRAWING NUMBER <b>607-0015ME</b>	SHEET 1 OF 1

VIEW FROM OUTSIDE OF MOTOR AT SWITCH END.



VOLTAGE	L1	L2	L3	JOIN & INSULATE
HIGH	T1	T2	T3	(T4,T7) (T5,T8) (T6,T9)
LOW	T1,T7	T2,T8	T3,T9	T4,T5,T6

		TOLERANCES UNLESS SPECIFIED				DRAWN RDW 04/12/02			
		DEC.	INCHES			CHK	APPD		
		.X	±.1	TITLE EXTERNAL WIRING DIAGRAM 3 PHASE W/O PROTECTOR  MAT'L. DECAL - 004014		SCALE 1=1			
		.XX	±.01			REF FIG.2-51			
		.XXX	±.005			FMF			
		.XXXX	±.0005			PREV			
NO.	REVISION	BY & DATE	CHK	ANG	±1/2'	FINISH	SIZE	DRAWING NO.	REV.
			RFP	04/12/02		CAD FILE 00501001ME	A	005010-01ME	
			DIST						

THIS DRAWING IN DESIGN AND DETAIL IS OUR PROPERTY AND MUST NOT BE USED EXCEPT IN CONNECTION WITH OUR WORK ALL RIGHTS OF DESIGN AND INVENTION ARE RESERVED THIS IS AN ELECTRONICALLY GENERATED DOCUMENT - DO NOT SCALE THIS PRINT



Data Sheet

56734W99007



Submital

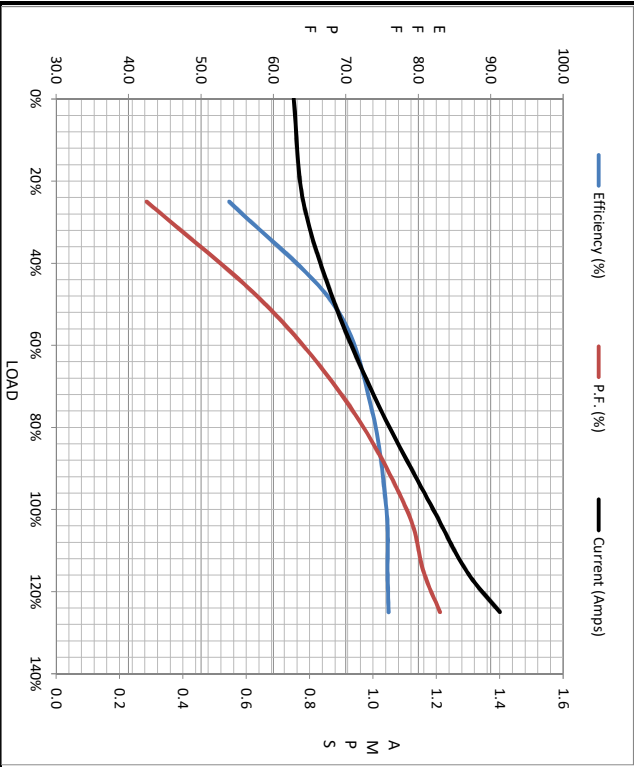
Data @ 460 V

Date: 1/3/2019  
 Customer: \_\_\_\_\_  
 Attention: \_\_\_\_\_  
 Submitted by: FAREEDA DUDEKULA

Motor Load Data									
Load	0%	25%	50%	75%	100%	115%	125%	LR	
Current (Amps)	0.75	0.78	0.88	1.02	1.19	1.30	1.40	7.3	
Torque (ft-lb)	0.00	72.2	144	218	294	5,343	372	738	
RPM	3600	3559	3528	3492	3454	3,436	3410	0	
Efficiency (%)		53.9	68.3	73.5	75.6	75.8	75.9		
P.F. (%)	17.6	42.5	58.9	70.6	78.4	80.7	83.0	0.0	

Motor Speed Data					
	LR	Pull-Up	BD	Rated	Idle
Speed (RPM)	0	400	2600	3454	3600
Current (Amps)	7.3	6.7	4.4	1.19	0.75
Torque (ft-lb)	738	706	1,043	294	0.00

Information Block	
HP	0.8
Sync. RPM	3600
Frame	56
Enclosure	TEFC
Construction	TS
Voltage	208-230/460#190/380 V
Frequency	60 Hz
Design	B
LR Code letter	J
Service Factor	1.15
Temp Rise @ FL	57 °C
Duty	CONT
Ambient	40 °C
Elevation	3300 feet
Rotor/Shaft wk <sup>2</sup>	0.02 Lb-Ft <sup>2</sup>
Ret Wdg	T632160 FR
Sound Pressure @ 1M	0 DBA
VFD Rating	NONE
Outline Dwg	607-0015MFE-500
Conn. Diag	005010.01ME
Additional Specifications:	
0	
0	



R1	R2	X1	X2	Xm
0.0000	0.0000	0.0000	0.0000	0.0000

